

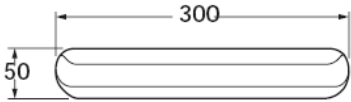
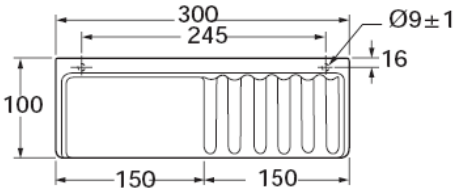
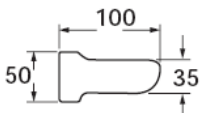
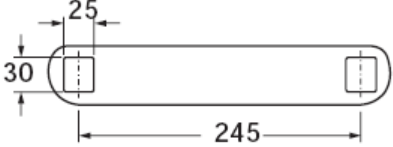




PROJECT		REF		REV	ITEM CODE	
LOCATION		DATE			PAGE	

SANITARY WARE SPECIFICATION SHEET

<p>Item Descriptions</p> <p>Dimensions</p> <p>Model</p> <p>Material / Color</p> <p>Manufacturer</p> <p>Source</p> <p>Contact Tel/Fax</p> <p>E-mail</p> <p>Website</p>	<p>American Standard (Thailand) "Romica" Wall mounted soap & sponge dish</p> <p>L300 x H50 x D100 mm</p> <p>TF9252</p> <p>Vitreous China / White</p> <p>American Standard (Thailand)</p> <p>Acme Sanitary Ware Co. Ltd Mr. Eric Wong / Mr. Don Yuen</p> <p>(852) 2388-7171 / (852) 2710-8012 acme@acmesanitary.com.hk www.acmesanitary.com.hk</p>	<p align="center">Illustration/ Drawing</p>   <p align="center">FRONT VIEW</p>  <p align="center">TOP VIEW</p>  <p align="center">SIDE VIEW</p>  <p align="center">BACK VIEW</p>
---	---	---

Note:

* All information of the above is for the reference only. No prior notice is made if any changes.